

THE STANDARD PATENT GLAZING CO. LTD.

Flagship House, Forge Lane, Dewsbury, West Yorkshire. WF12 9EL

Telephone: 01924 461213

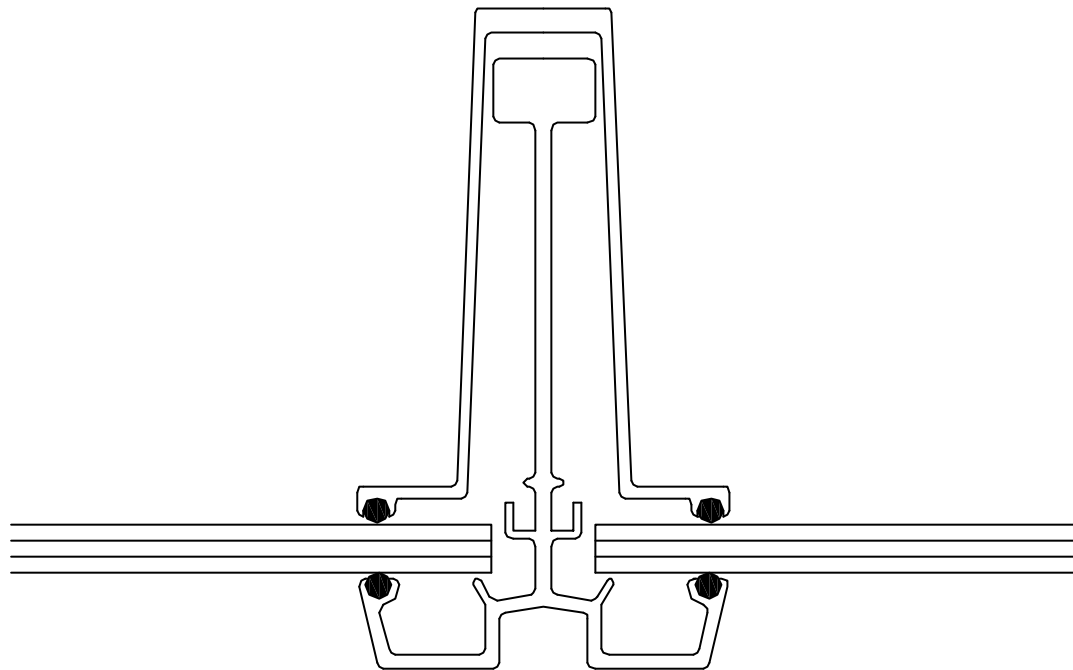
Fax: 01924 458083

PROJECT:

Glazing bars

SHEET No.

T-1090



BL6 glazing bar with C6 cap
Single glazed